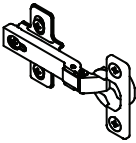

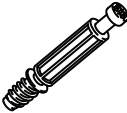






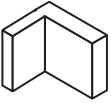


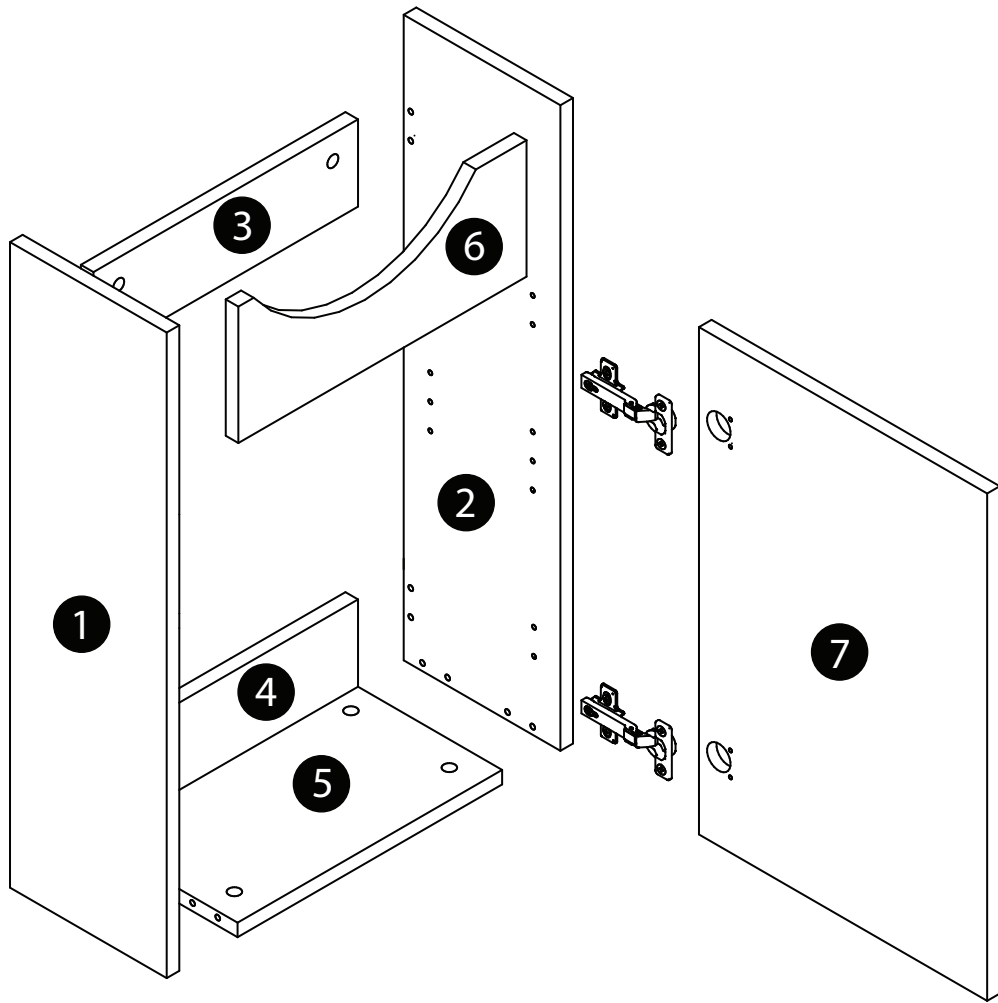
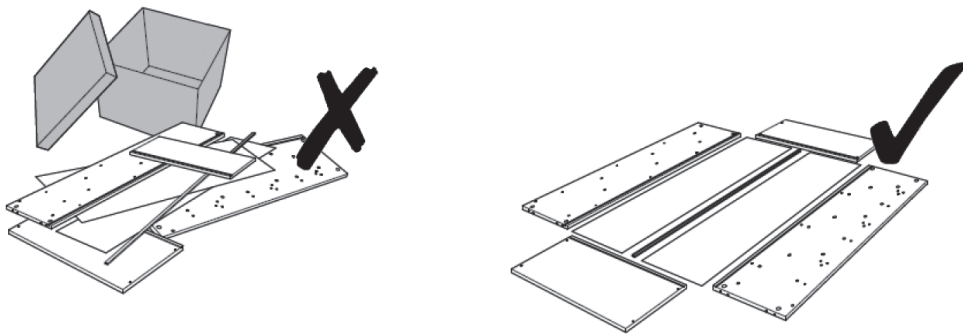




A 103x23 mm  x 2	B 15x12.5 mm  x 6	C 7.5x44 mm  x 6	D 20x0.5 mm  x 6
E 15 ml.  x 1	F 8x30 mm  x 10	G 3.5x16 mm  x 8	H 8x40 mm  x 2
I 5x50 mm  x 2	J 50x45x35 mm  x 2	K 43x20x20 mm  x 2	L 5x10 mm  x 4

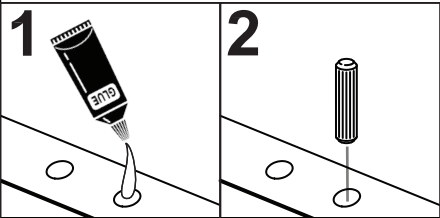
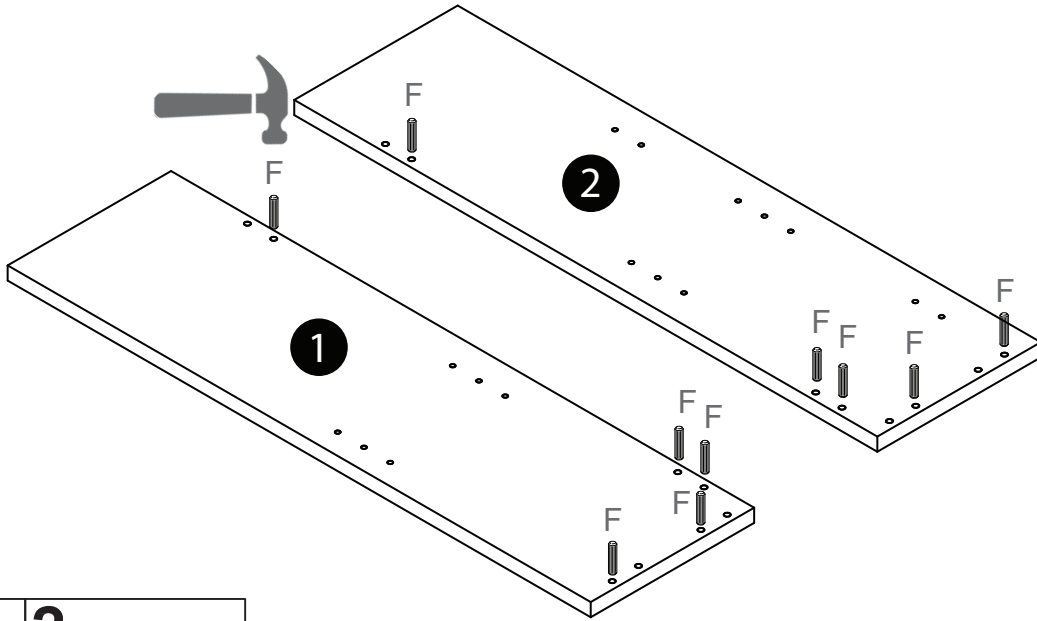


1




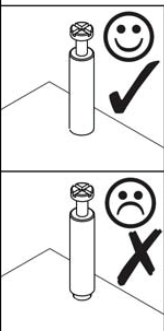
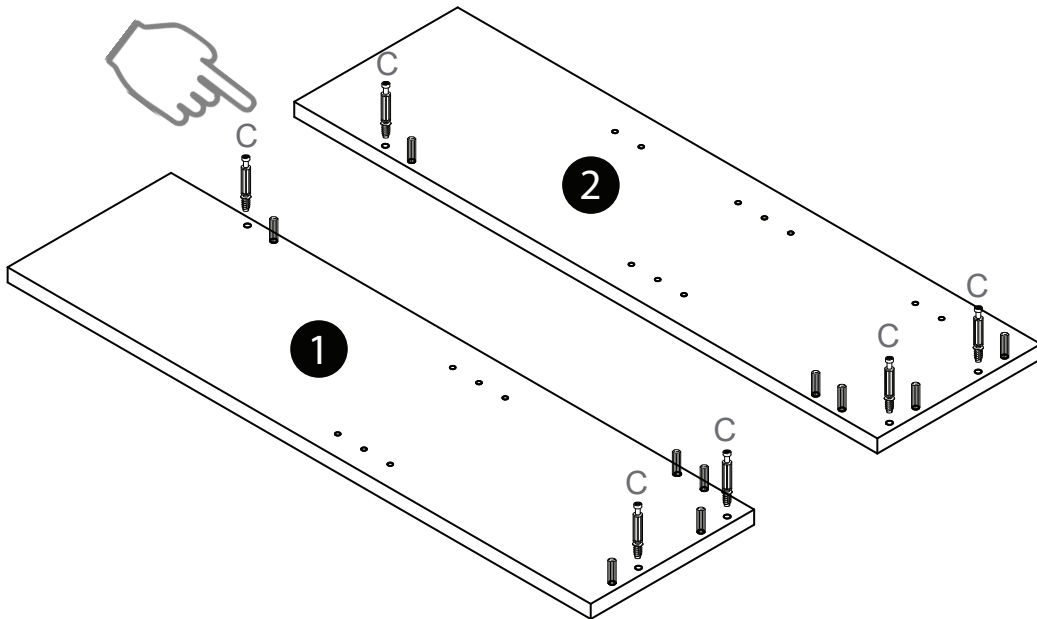
2

	F x10		E 15 ml.
---	-----------------	--	--------------------



3

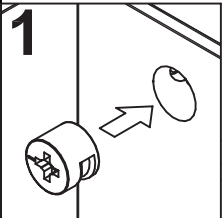
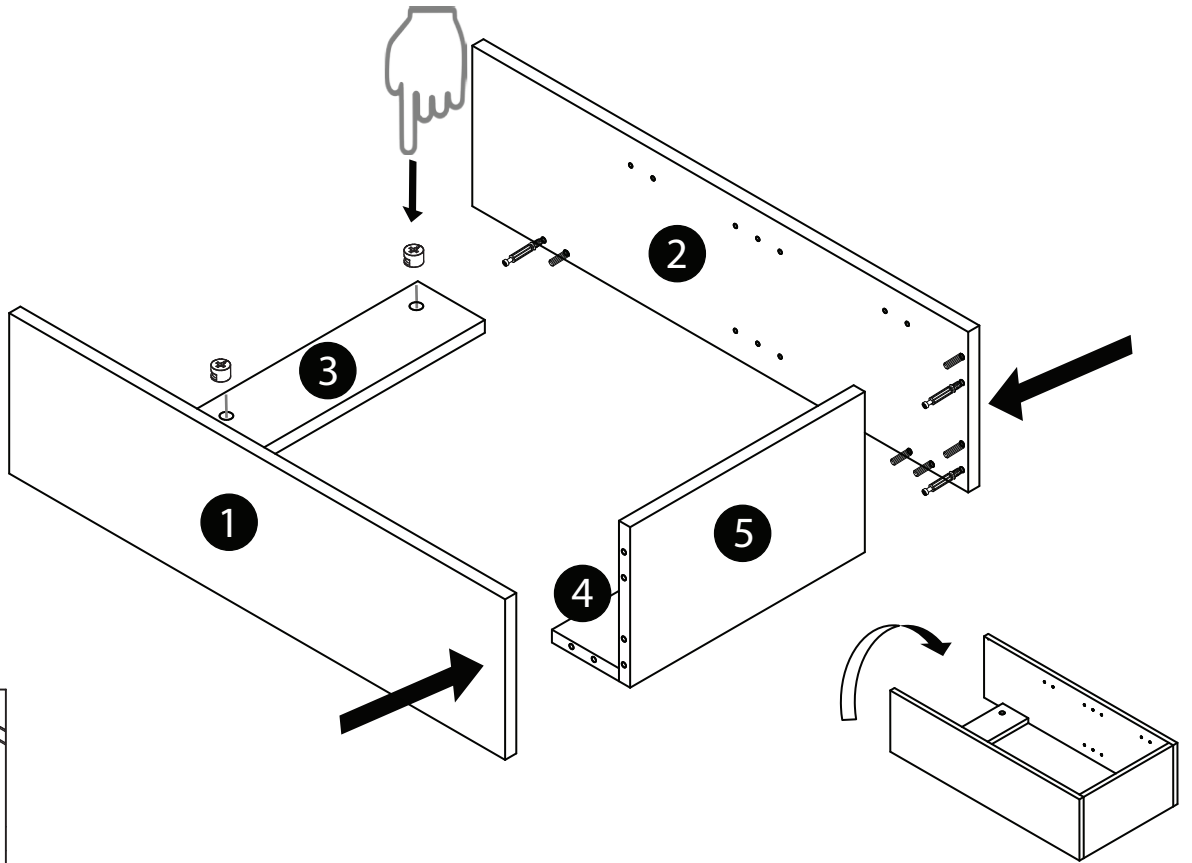
	C x6
---	----------------



4



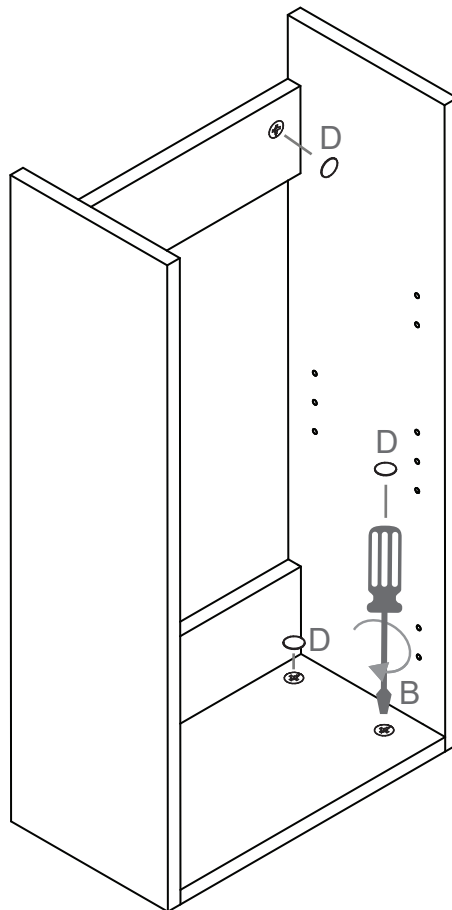
B
x6



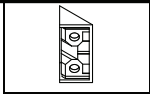
5



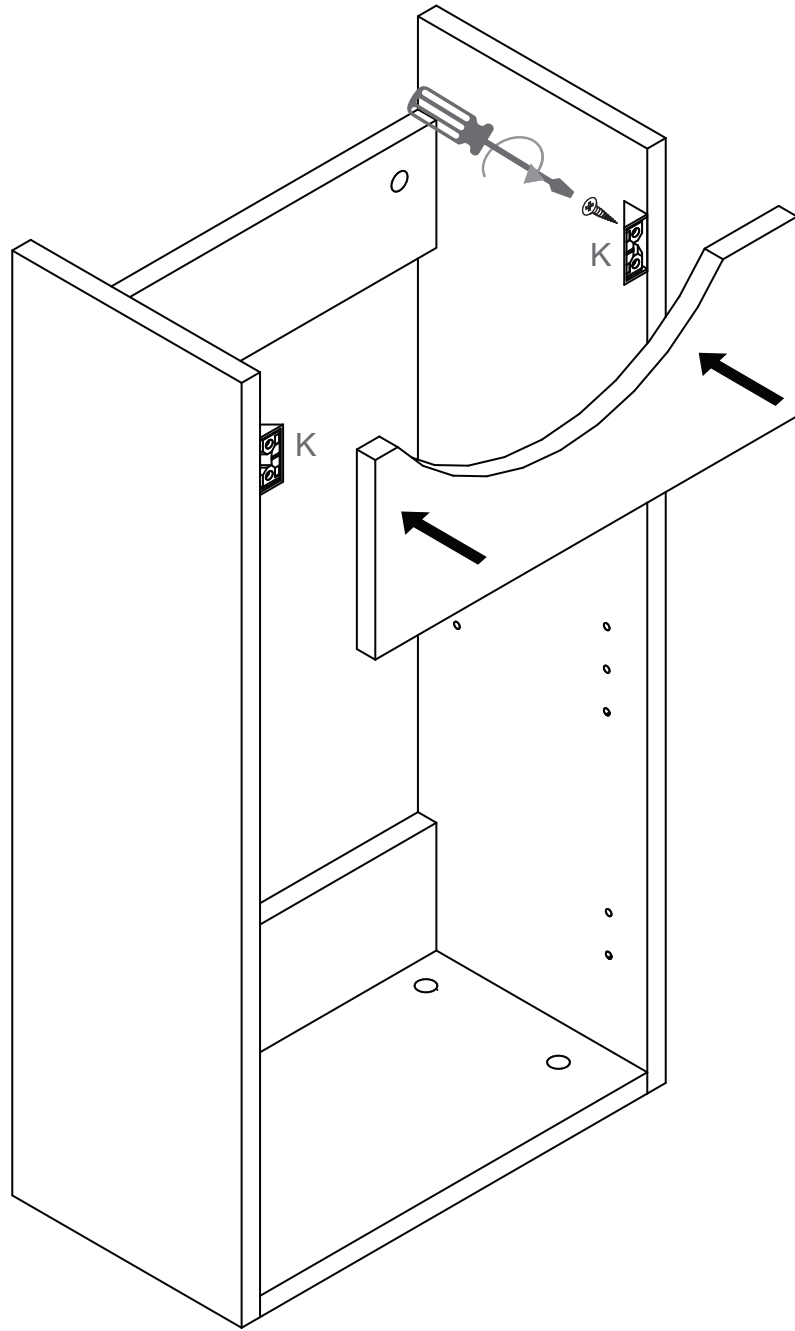
D
x6




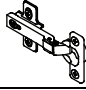
6

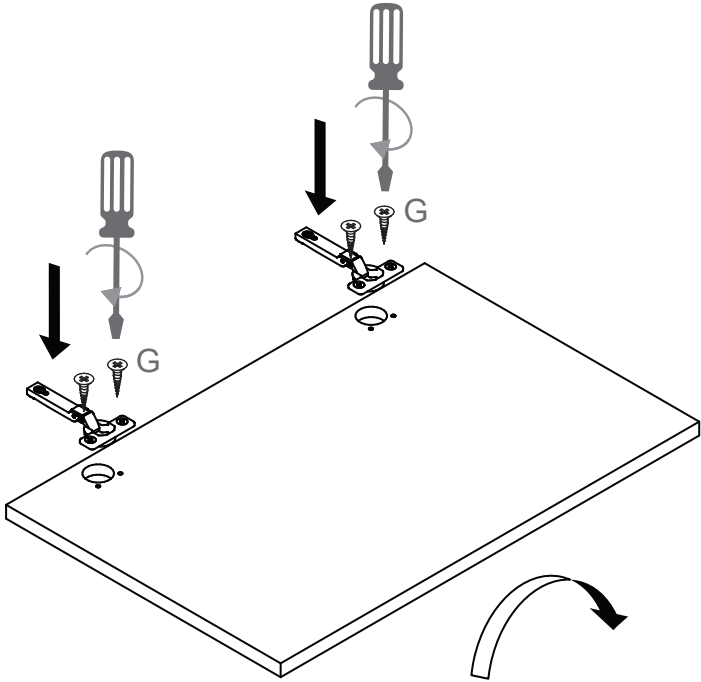


K
x2

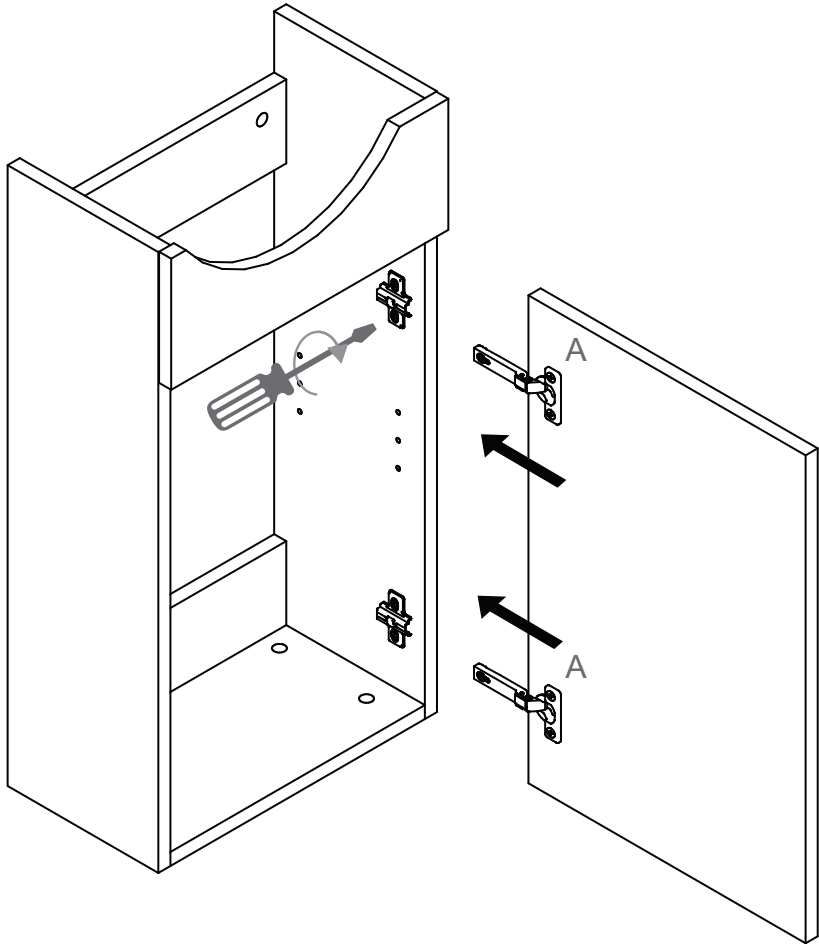


7

	G x8		A x2
--	----------------	--	----------------

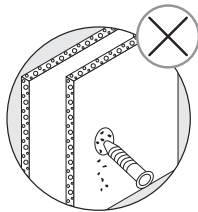
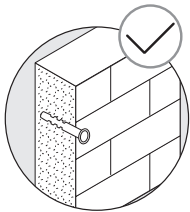
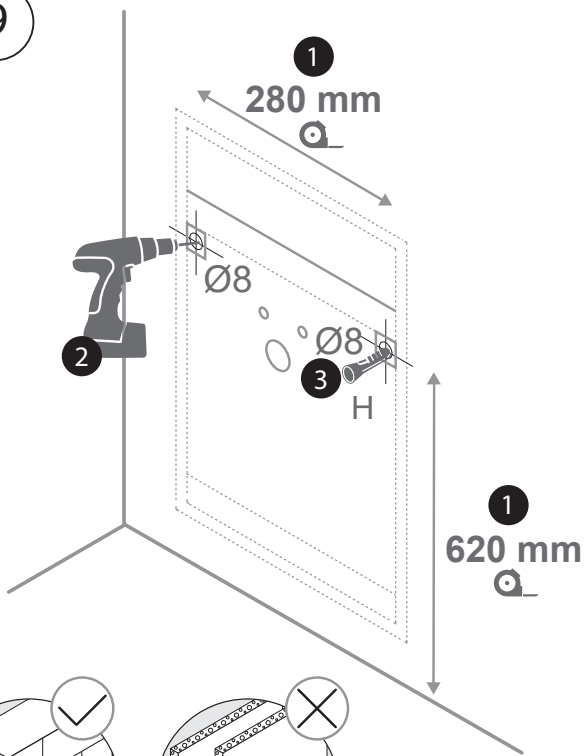


8



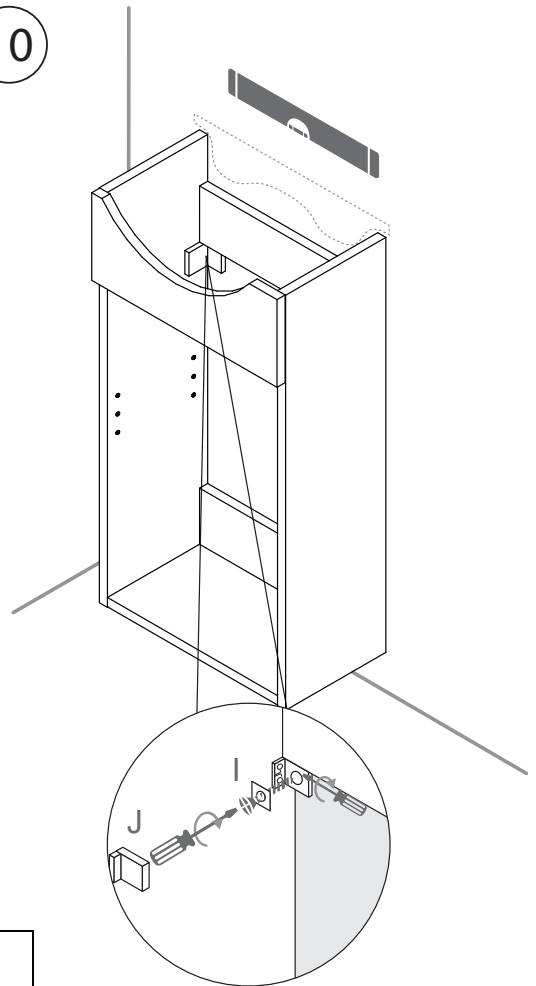


9

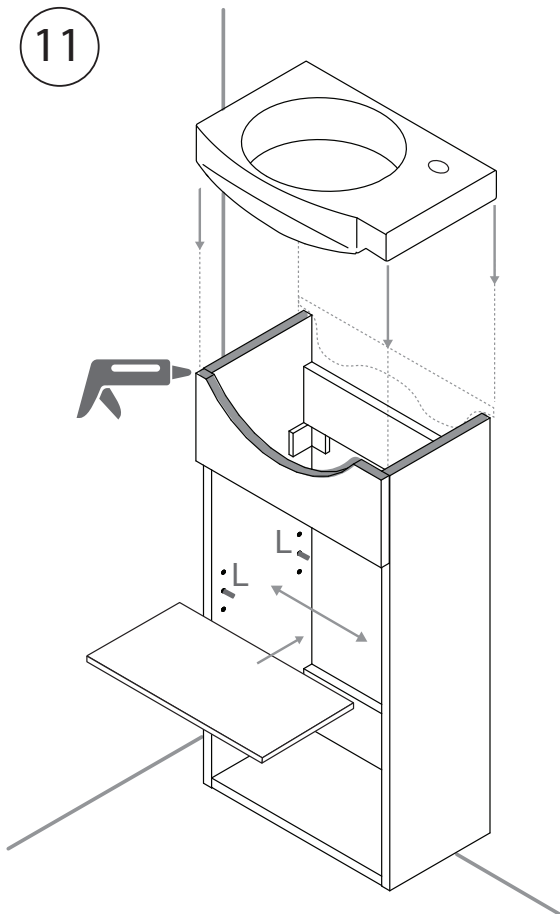


	H x2		I x2		J x2
--	---------	--	---------	--	---------

10



11



	L x4
--	---------

12

