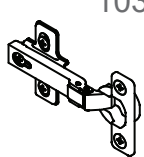

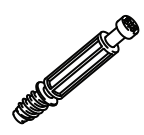






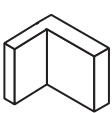
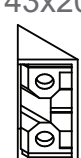


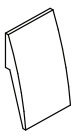
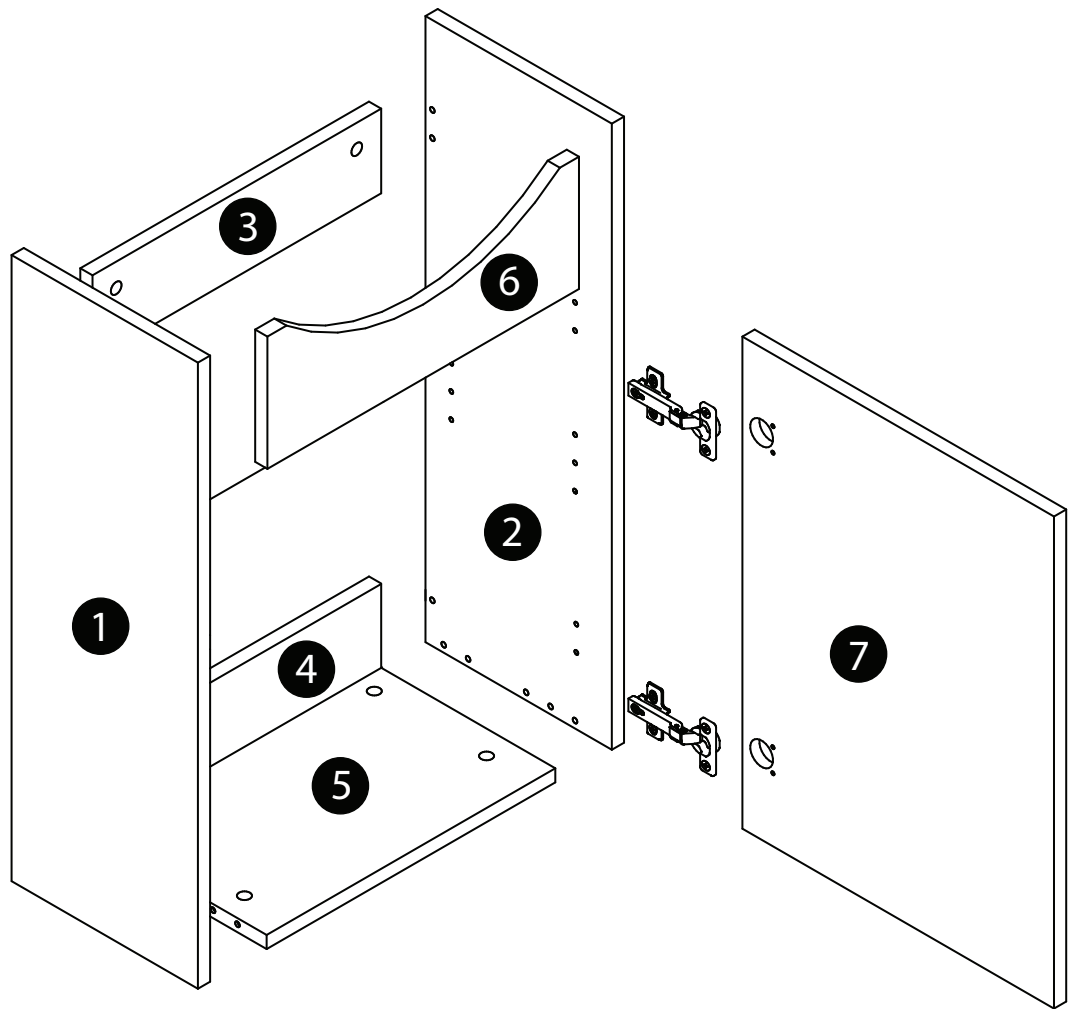
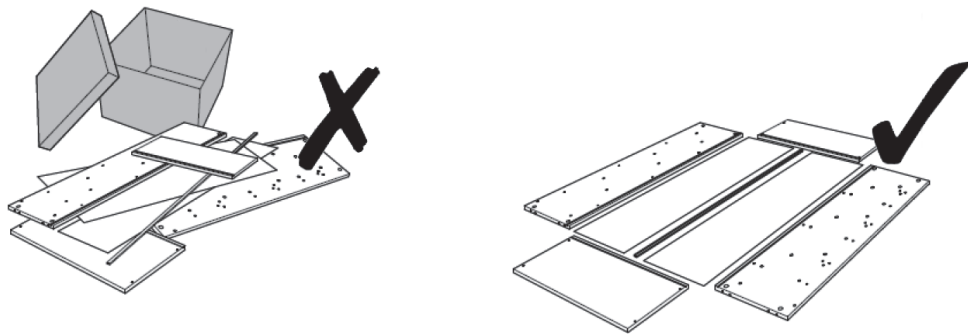


<b>A</b> 103x23 mm  x 2	<b>B</b> 15x12.5 mm  x 6	<b>C</b> 7.5x44 mm  x 6	<b>D</b> 20x0.5 mm  x 6
<b>E</b> 15 ml.  x 1	<b>F</b> 8x30 mm  x 12	<b>G</b> 3.5x16 mm  x 8	<b>H</b> 8x40 mm  x 2
<b>I</b> 5x50 mm  x 2	<b>J</b> 50x45x35 mm  x 2	<b>K</b> 43x20x20 mm  x 2	<b>L</b> 5x10 mm  x 4
<b>M</b> 4x22 mm  x 1	<b>N</b> 50x32x10 mm  x 1		



1



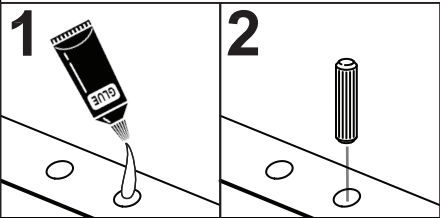
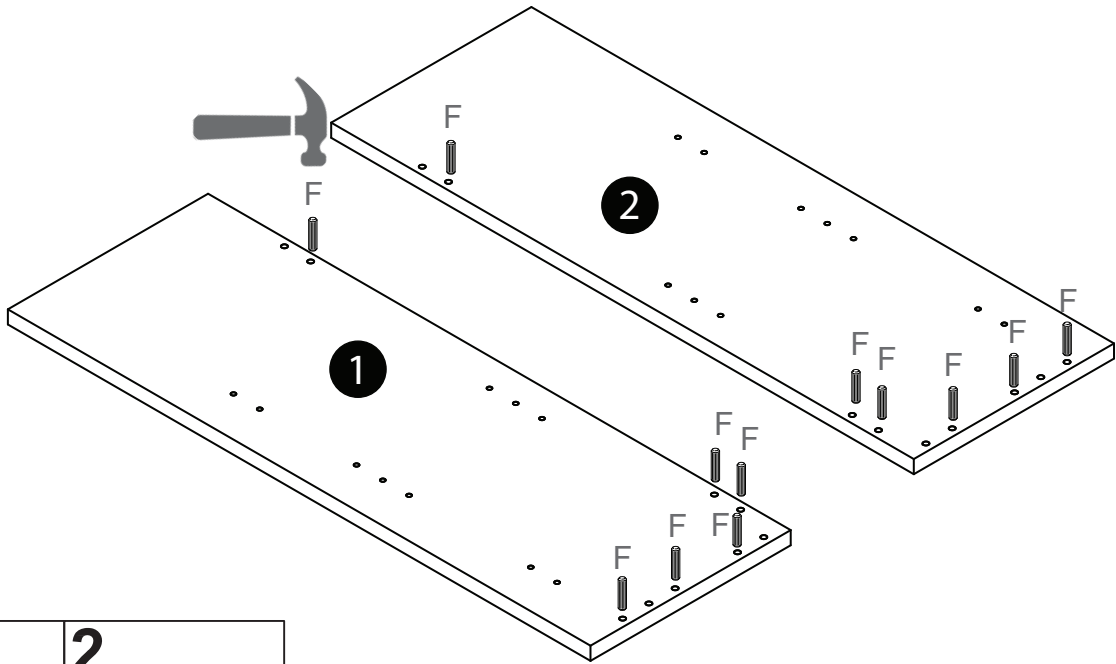
2



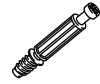
F  
x12



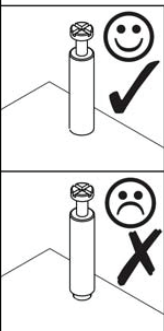
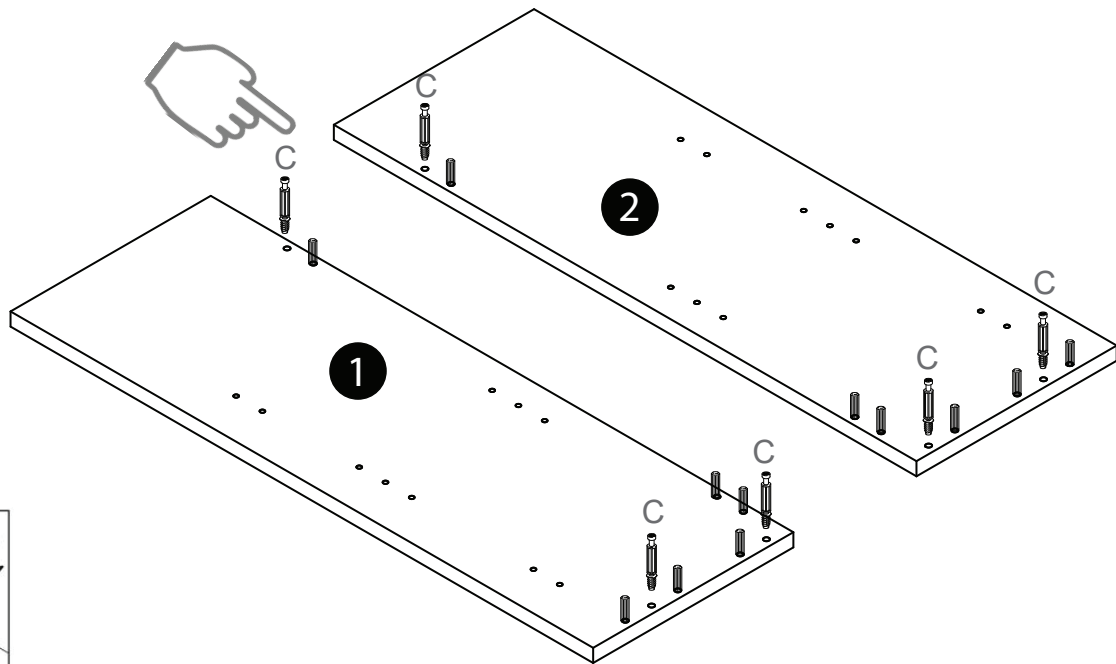
E  
15 ml.



3



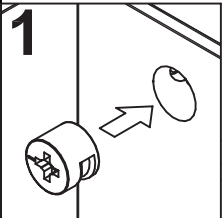
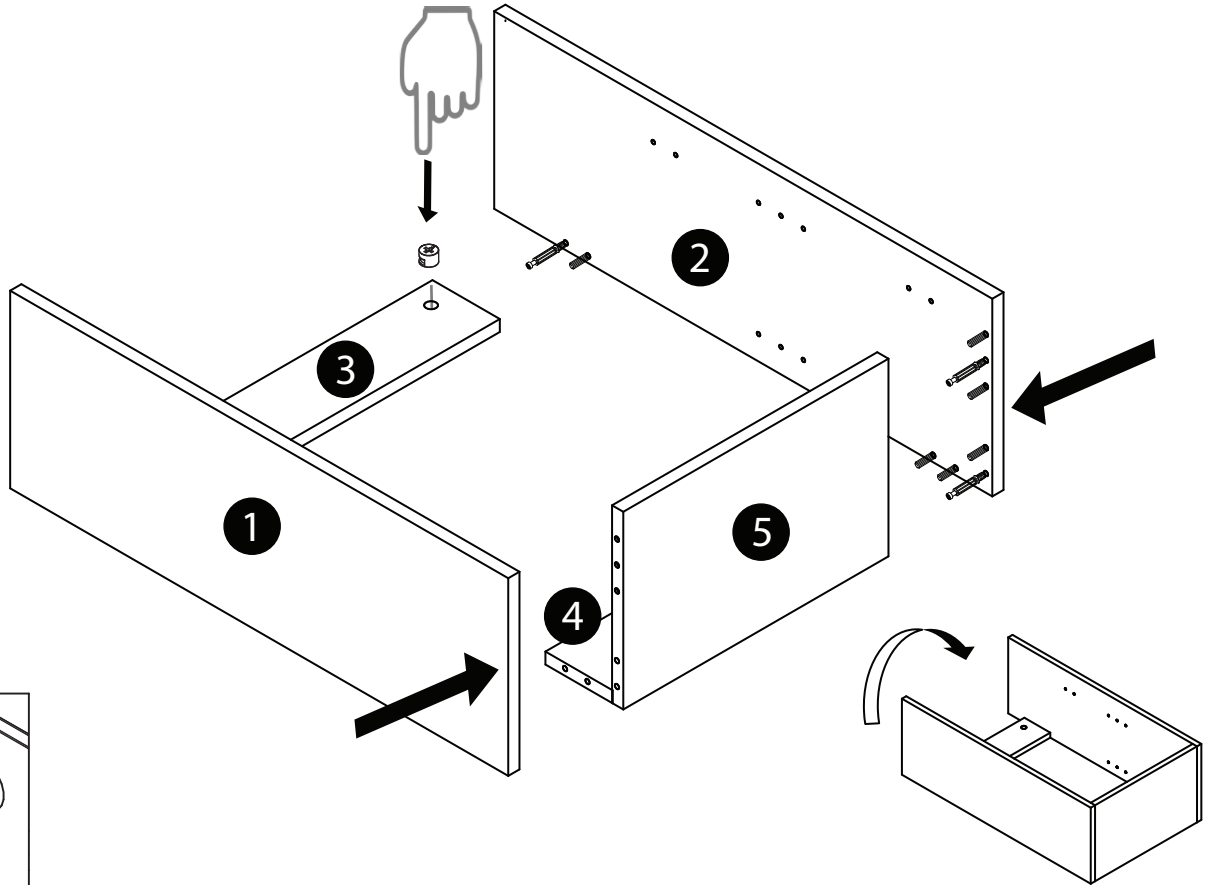
C  
x6



4



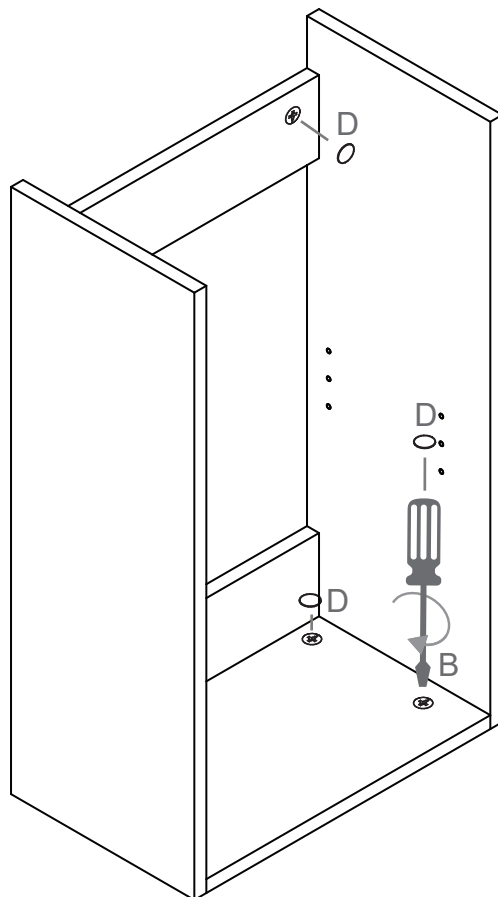
B  
x6



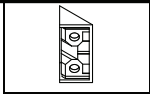
5



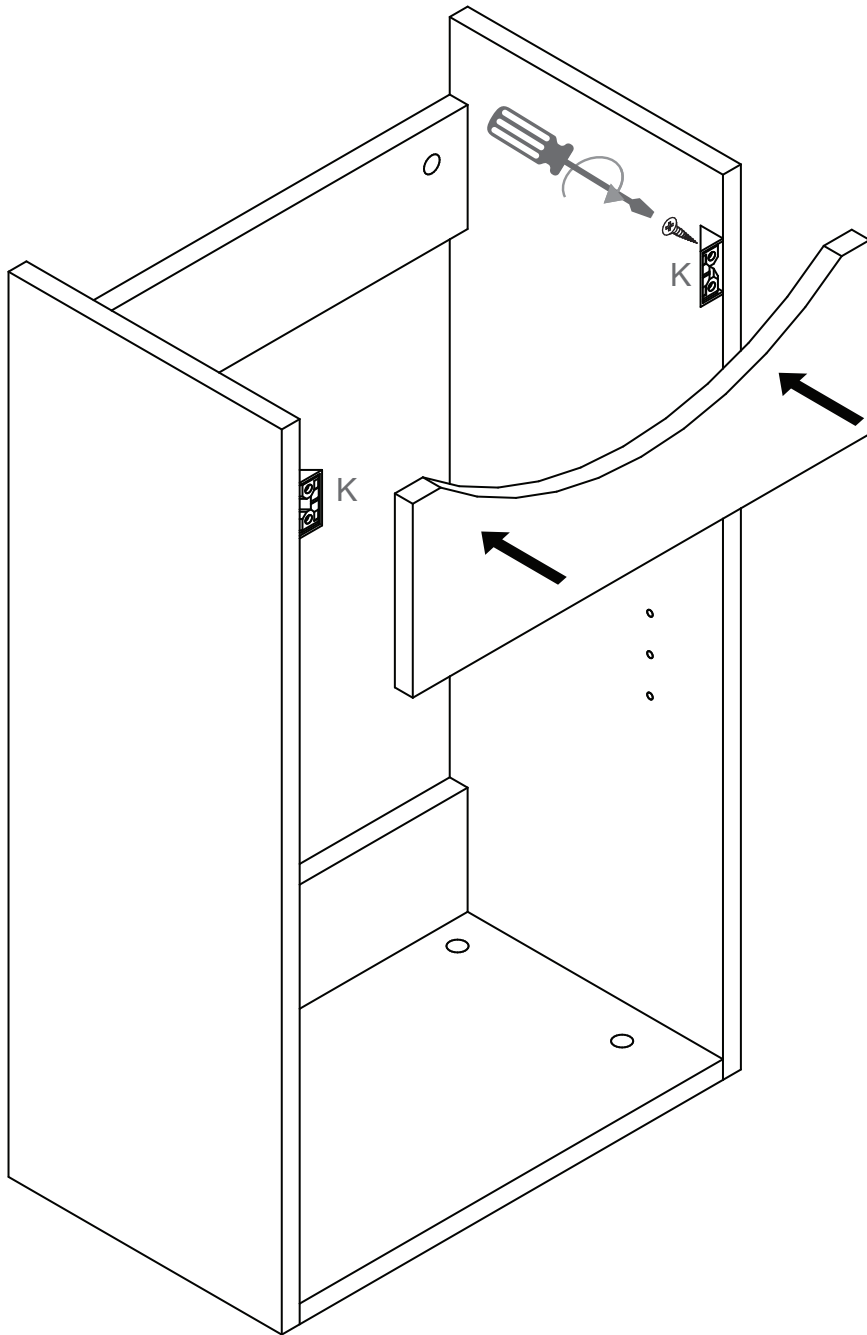
D  
x6



6

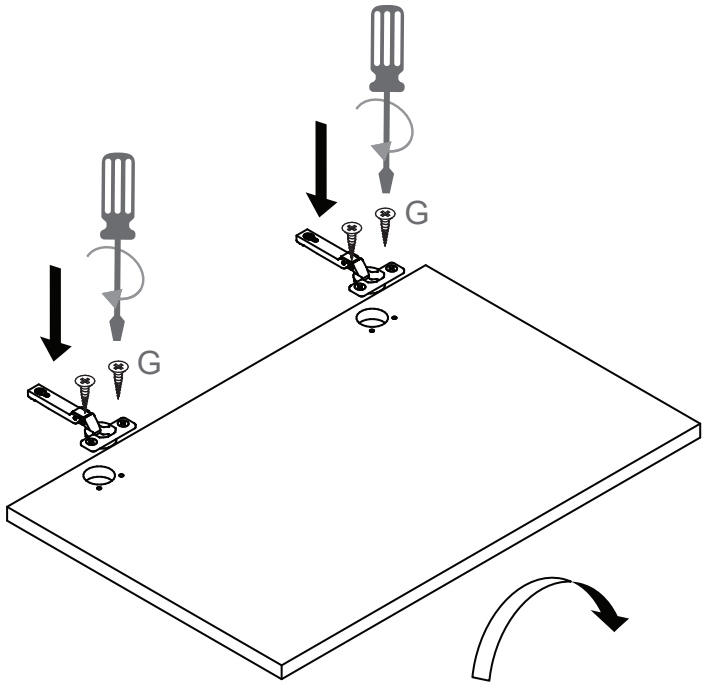


K  
x2

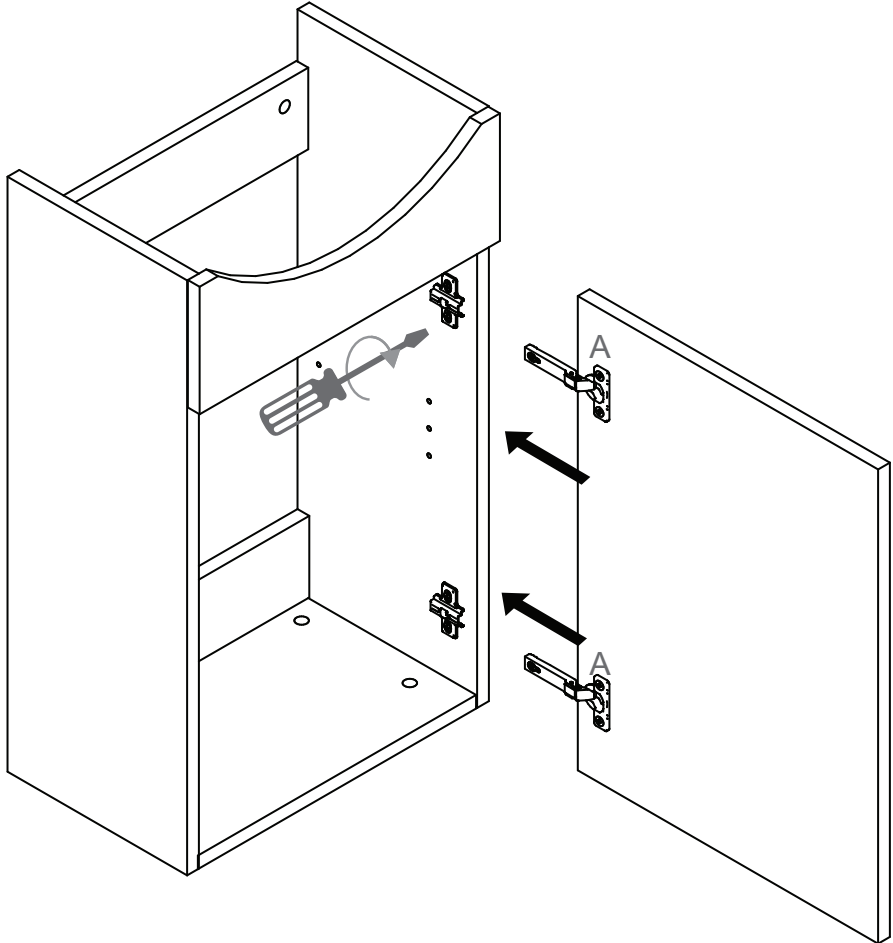


7

	<b>G</b> x8		<b>A</b> x2
--	----------------	--	----------------

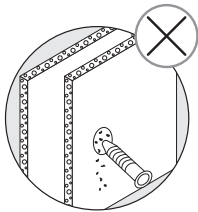
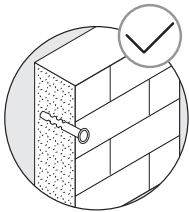
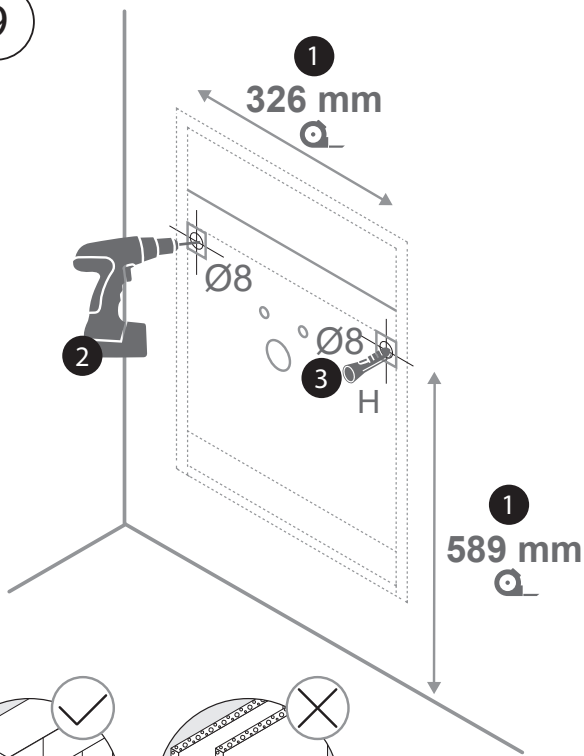


8



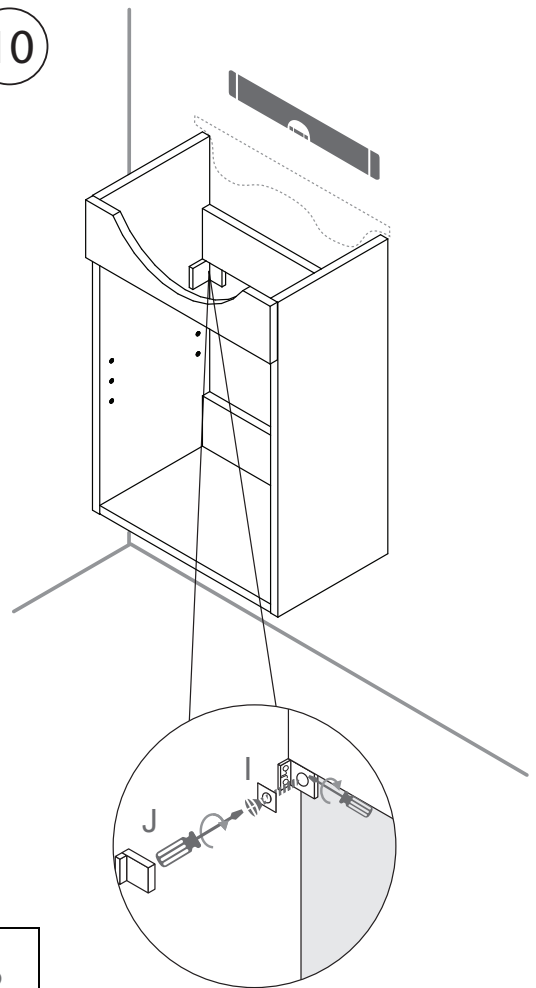


9

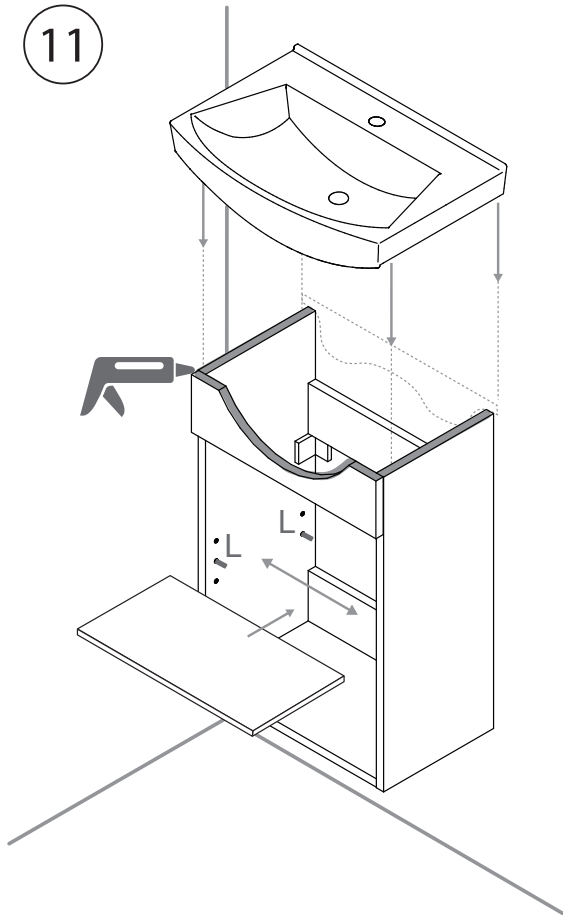


	H x2		I x2		J x2
--	---------	--	---------	--	---------

10



11



	L x4		M x1		N x1
--	---------	--	---------	--	---------

12

