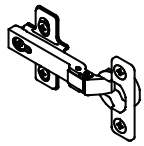

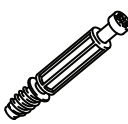


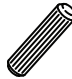



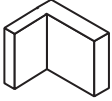
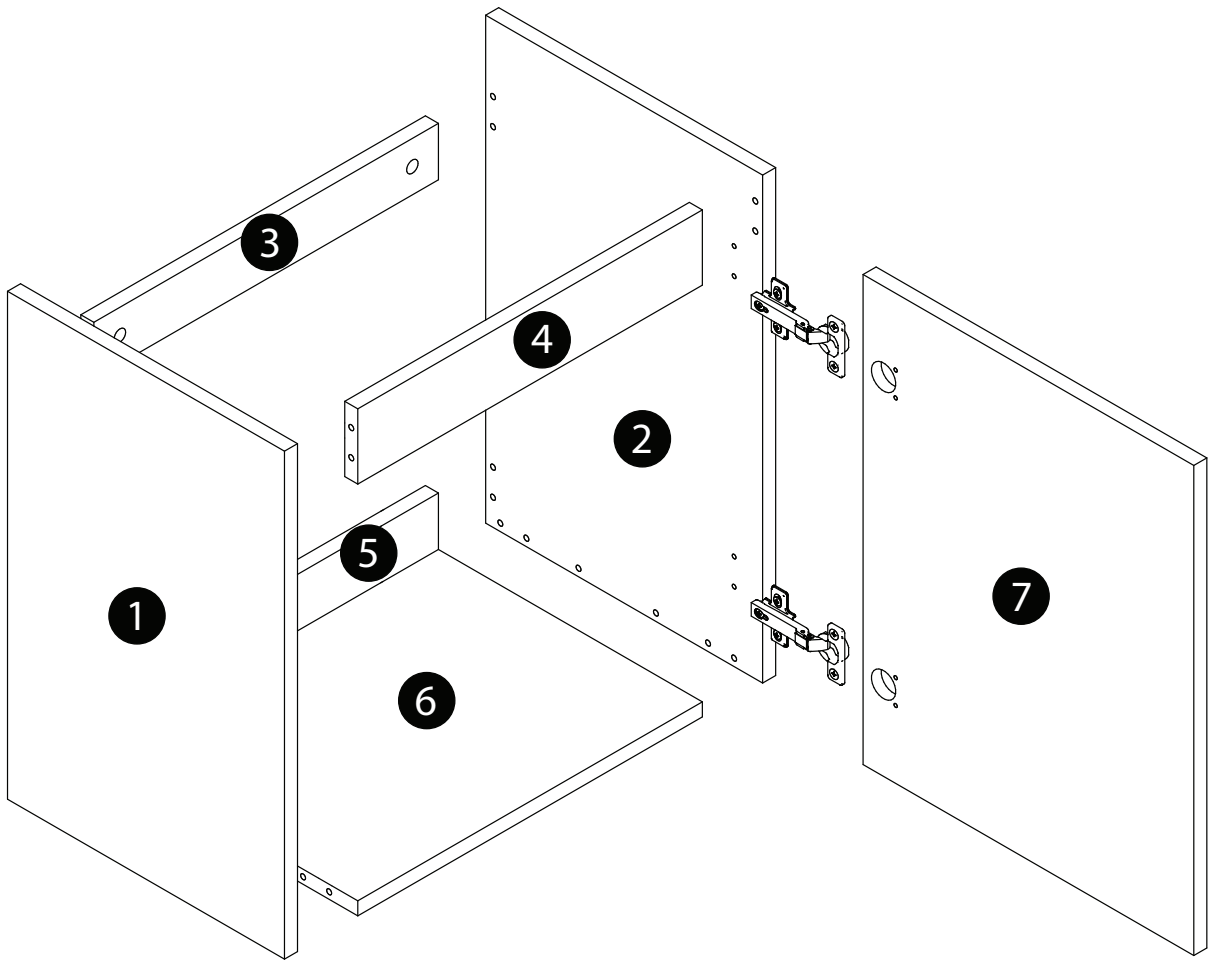
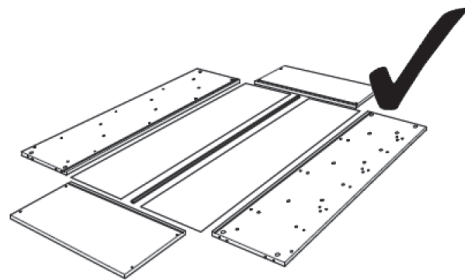
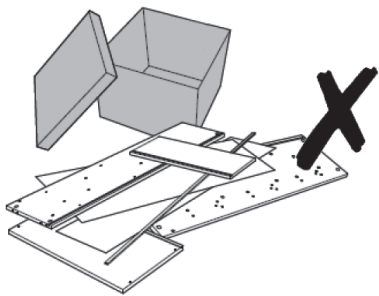


A 103x23 mm  x 2	B 15x12.5 mm  x 6	C 7.5x44 mm  x 6	D 20x0.5 mm  x 6
E 15 ml.  x 1	F 8x30 mm  x 18	G 3.5x16 mm  x 4	H 8x40 mm  x 2
I 5x50 mm  x 2	J 50x45x35 mm  x 2		



1



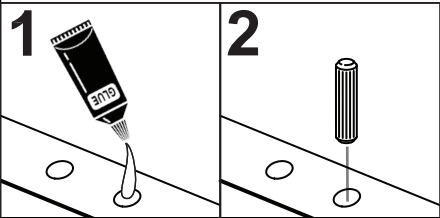
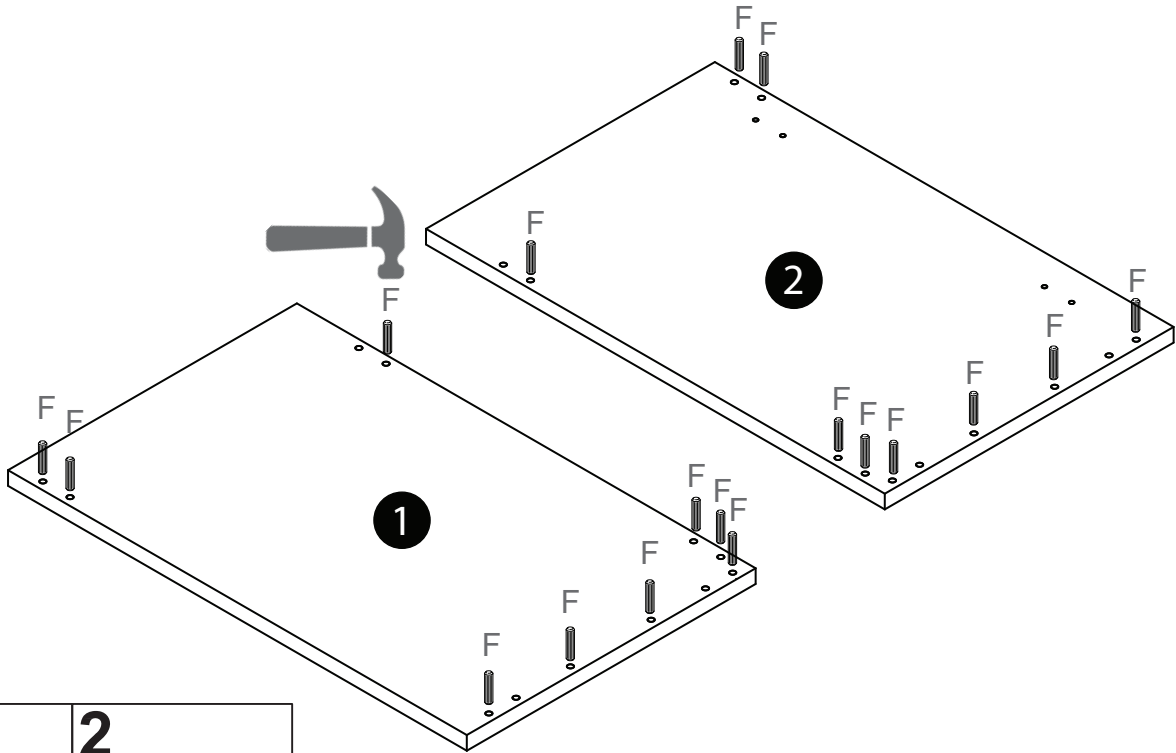
2



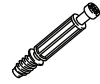
F
x18



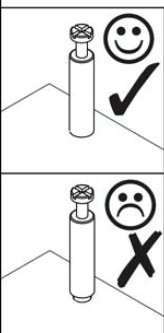
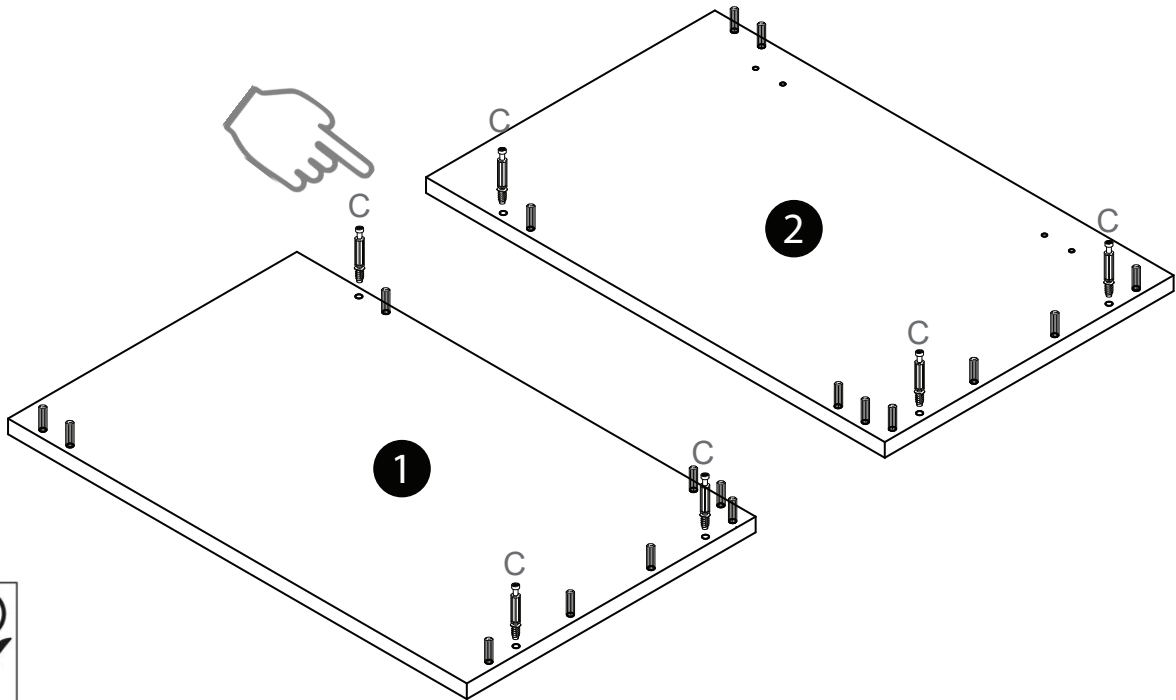
E
15 ml.



3



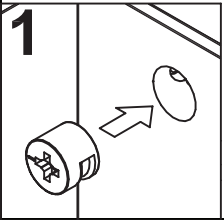
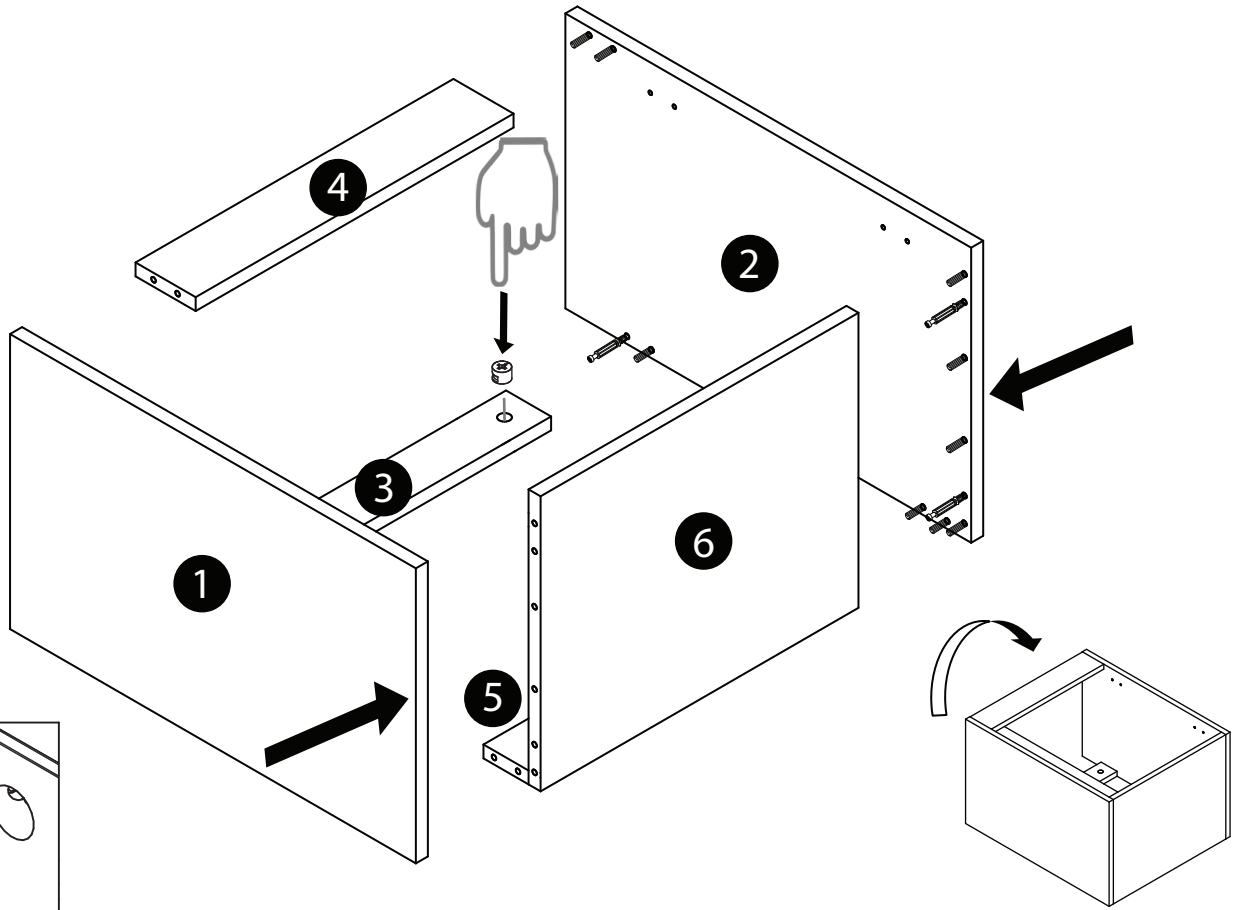
C
x6



4



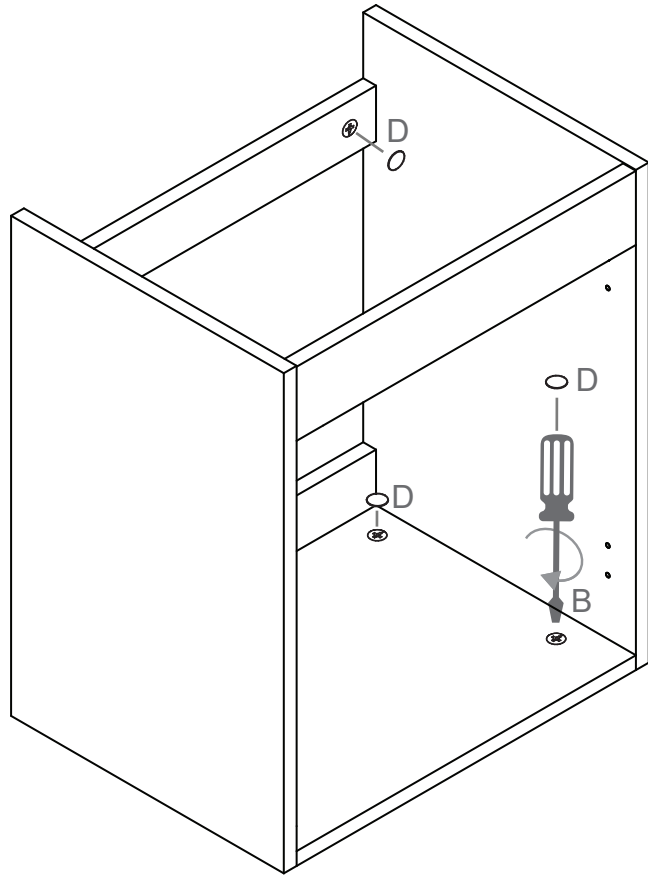
B
x6




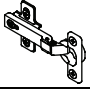
5

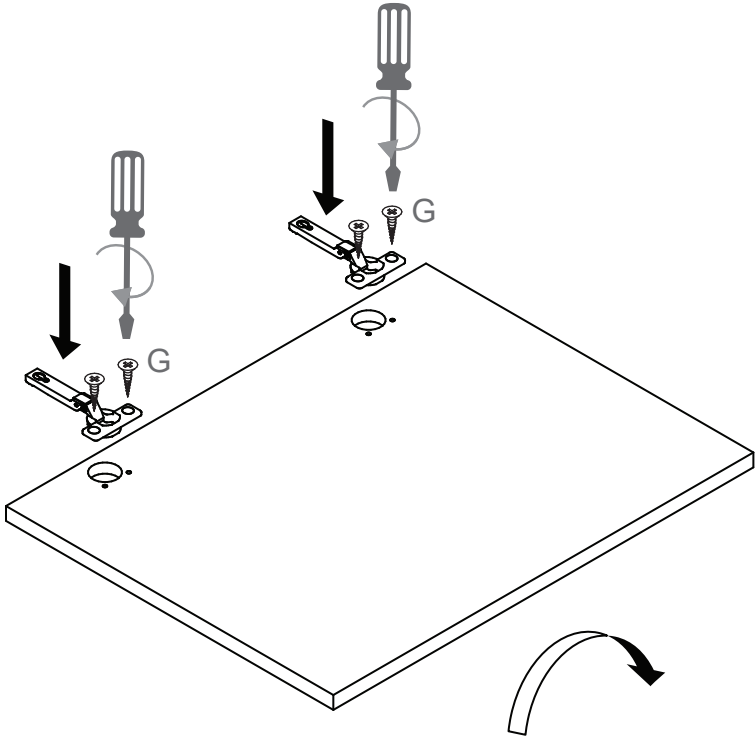


D
x6

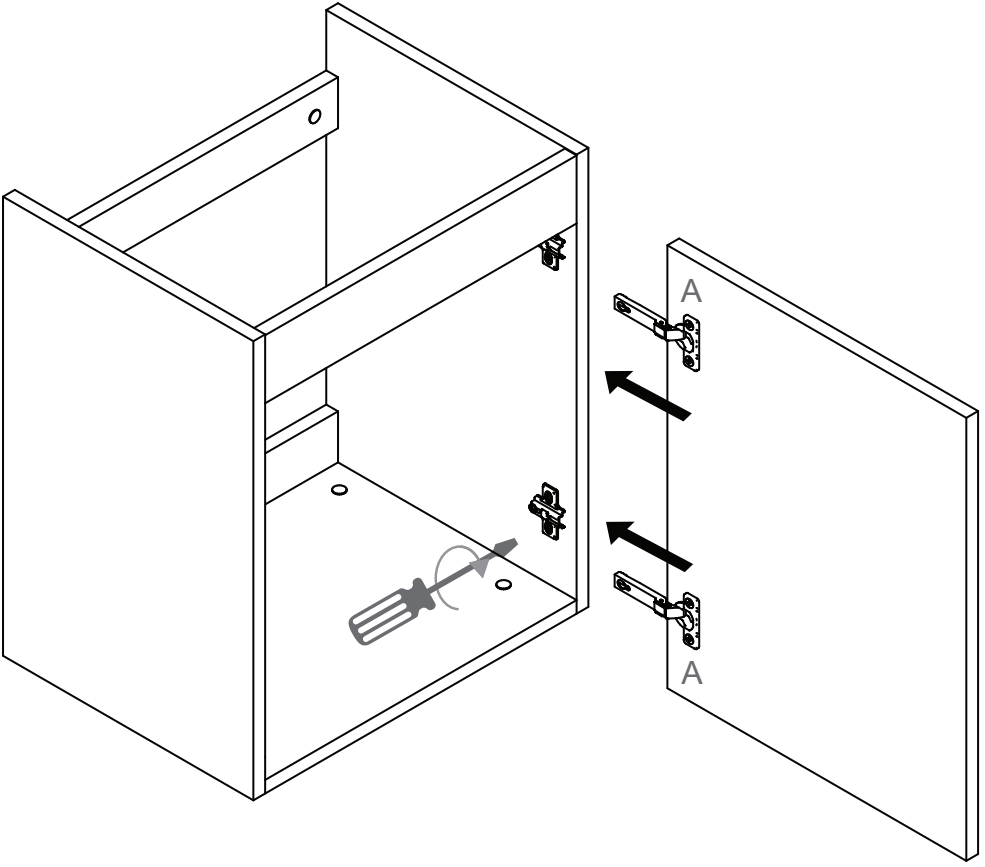


6

	G x4		A x2
--	----------------	--	----------------

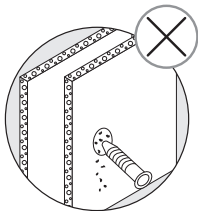
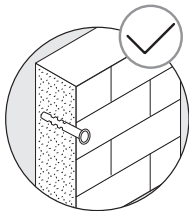
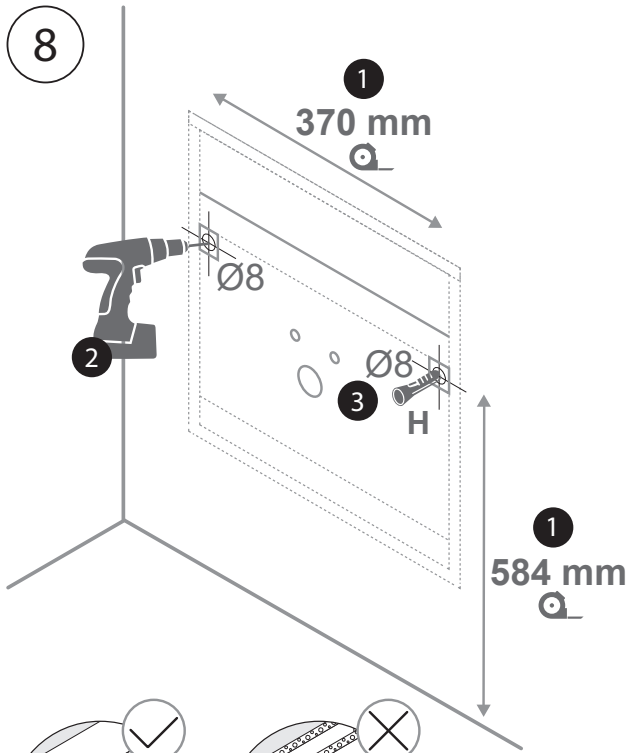


7

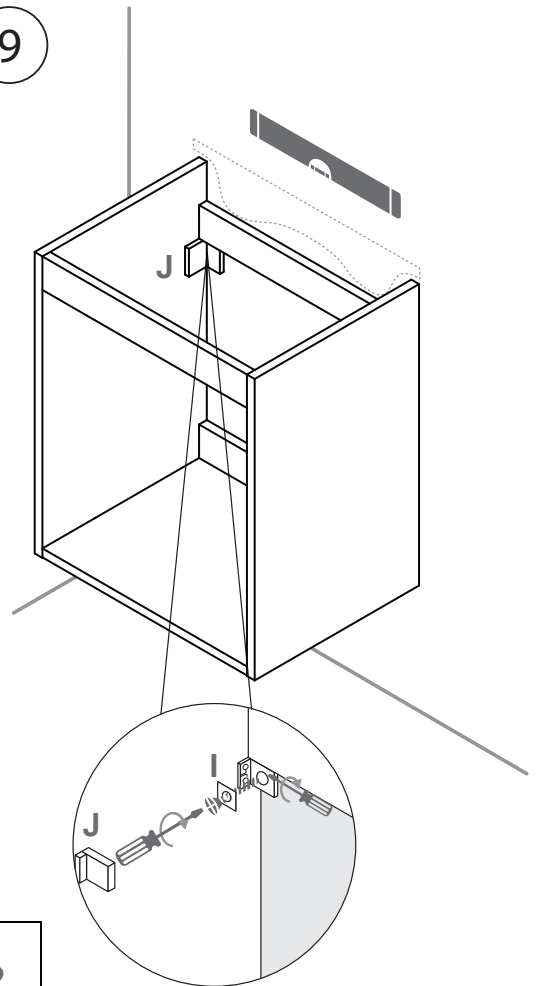




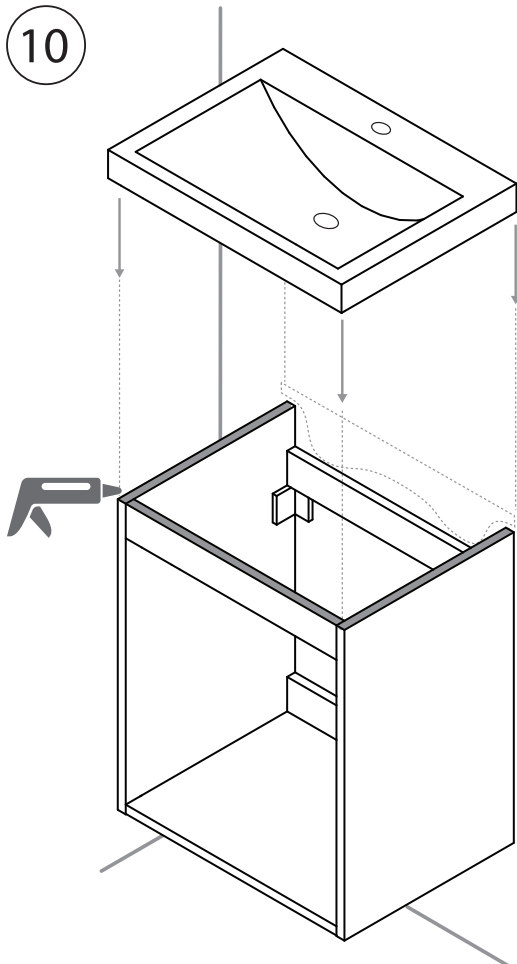
8



9



10



11

